



SEATTLE, WASHINGTON
1.800.426.9794
PHONE 253.627.2910 · FAX 253.926.4660

LOS ANGELES, CALIFORNIA
1.800.624.8073
PHONE 323.588.2688 · FAX 323.588.1767

CANTON, OHIO
1.800.822.6358
PHONE 330.833.5800 · FAX 330.833.5815

HARTFORD, CONNECTICUT
1.800.641.4140
PHONE 860.688.8393 · FAX 860.683.2337

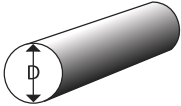
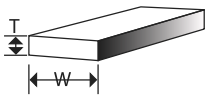
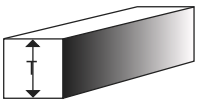
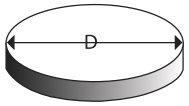
WWW.SSA-CORP.COM
EMAIL: SALES@SSA-CORP.COM

WICHITA, KANSAS
1.800.426.9794
PHONE 316.768.4040 · FAX 316.821.9125

FRACTION	DECIMAL	MM	FRACTION	DECIMAL	MM
$\frac{1}{64}$.015625	.3969	$\frac{33}{64}$.515625	13.0969
$\frac{1}{32}$.03125	.7939	$\frac{17}{32}$.53125	13.4937
$\frac{3}{64}$.046875	1.1906	$\frac{35}{64}$.546875	13.8906
$\frac{1}{16}$.0625	1.5875	$\frac{9}{16}$.5624	14.2875
$\frac{5}{64}$.078125	1.9844	$\frac{37}{64}$.578125	14.6844
$\frac{3}{32}$.09375	2.3812	$\frac{19}{32}$.59375	15.0812
$\frac{7}{64}$.109375	2.7781	$\frac{39}{64}$.609375	15.4781
$\frac{1}{8}$.125	3.1750	$\frac{5}{8}$.625	15.8750
$\frac{9}{64}$.140625	3.5719	$\frac{41}{64}$.640625	16.2719
$\frac{5}{32}$.15625	3.9687	$\frac{21}{32}$.65625	16.6687
$\frac{11}{64}$.171875	4.3656	$\frac{43}{64}$.671875	17.0656
$\frac{3}{16}$.1875	4.7625	$\frac{11}{16}$.6875	17.4625
$\frac{13}{64}$.203125	5.1594	$\frac{45}{64}$.703125	17.8594
$\frac{7}{32}$.21875	5.5562	$\frac{23}{32}$.71875	18.2562
$\frac{15}{64}$.234375	5.9531	$\frac{47}{64}$.734375	18.6531
$\frac{1}{4}$.25	6.3500	$\frac{3}{4}$.75	19.0500
$\frac{17}{64}$.265625	6.7469	$\frac{49}{64}$.765625	19.4469
$\frac{9}{32}$.28125	7.1437	$\frac{25}{32}$.78125	19.8437
$\frac{19}{64}$.296875	7.5406	$\frac{51}{64}$.796875	20.2406
$\frac{5}{16}$.3125	7.9375	$\frac{13}{16}$.8125	20.6375
$\frac{21}{64}$.328125	8.3344	$\frac{53}{64}$.828125	21.0344
$\frac{11}{32}$.34375	8.7312	$\frac{27}{32}$.84375	21.4312
$\frac{23}{64}$.359375	9.1281	$\frac{55}{64}$.859375	21.8281
$\frac{3}{8}$.375	9.5250	$\frac{7}{8}$.875	22.2250
$\frac{25}{64}$.390625	9.9219	$\frac{57}{64}$.890625	22.6219
$\frac{13}{32}$.40625	10.3187	$\frac{29}{32}$.90625	23.0187
$\frac{27}{64}$.421875	10.7156	$\frac{59}{64}$.921875	23.4156
$\frac{7}{16}$.4375	11.1125	$\frac{15}{16}$.9375	23.8125
$\frac{29}{64}$.453125	11.5094	$\frac{61}{64}$.953125	24.2094
$\frac{15}{32}$.46875	11.9063	$\frac{31}{32}$.96875	24.6062
$\frac{31}{64}$.484375	12.3031	$\frac{63}{64}$.984375	25.0031
$\frac{1}{2}$.5	12.7000	1	1.0	23.4000

WEIGHT FORMULAS

(Bar weights based on: steel, .2833 lb. per cubic in./titanium, .1600 per cubic in./nickel alloy .2970 lb. per cubic in.)

ROUNDS	FLATS	SQUARES	CIRCLES
 <p>Steel: Lbs. per lineal foot = $D^2 \times 2.669$ Lbs. per lineal inch = $D^2 \times .2224$</p> <p>Titanium: Lbs. per lineal foot = $D^2 \times 1.507$ Lbs. per lineal inch = $D^2 \times .1256$</p> <p>Nickel Alloy: Lbs. per lineal foot = $D^2 \times 2.798$ Lbs. per lineal inch = $D^2 \times .2331$</p>	 <p>Steel: Lbs. per lineal foot = $T \times W \times 3.40$ Lbs. per lineal inch = $T \times W \times .2833$</p> <p>Titanium: Lbs. per lineal foot = $T \times W \times 1.92$ Lbs. per lineal inch = $T \times W \times .16$</p> <p>Nickel Alloy: Lbs. per lineal foot = $T \times W \times 3.564$ Lbs. per lineal inch = $T \times W \times .2970$</p>	 <p>Steel: Lbs. per lineal foot = $T^2 \times 3.40$ Lbs. per lineal inch = $T^2 \times .2833$</p> <p>Titanium: Lbs. per lineal foot = $T^2 \times 1.92$ Lbs. per lineal inch = $T^2 \times .16$</p> <p>Nickel Alloy: Lbs. per lineal foot = $T^2 \times 3.564$ Lbs. per lineal inch = $T^2 \times .2970$</p>	 <p>Steel: Wt. of Circle in lbs. = $D^2 \times T \times .2224$</p> <p>Titanium: Wt. of Circle in lbs. = $D^2 \times T \times .1256$</p> <p>Nickel Alloy: Wt. of Circle in lbs. = $D^2 \times T \times .2331$</p>